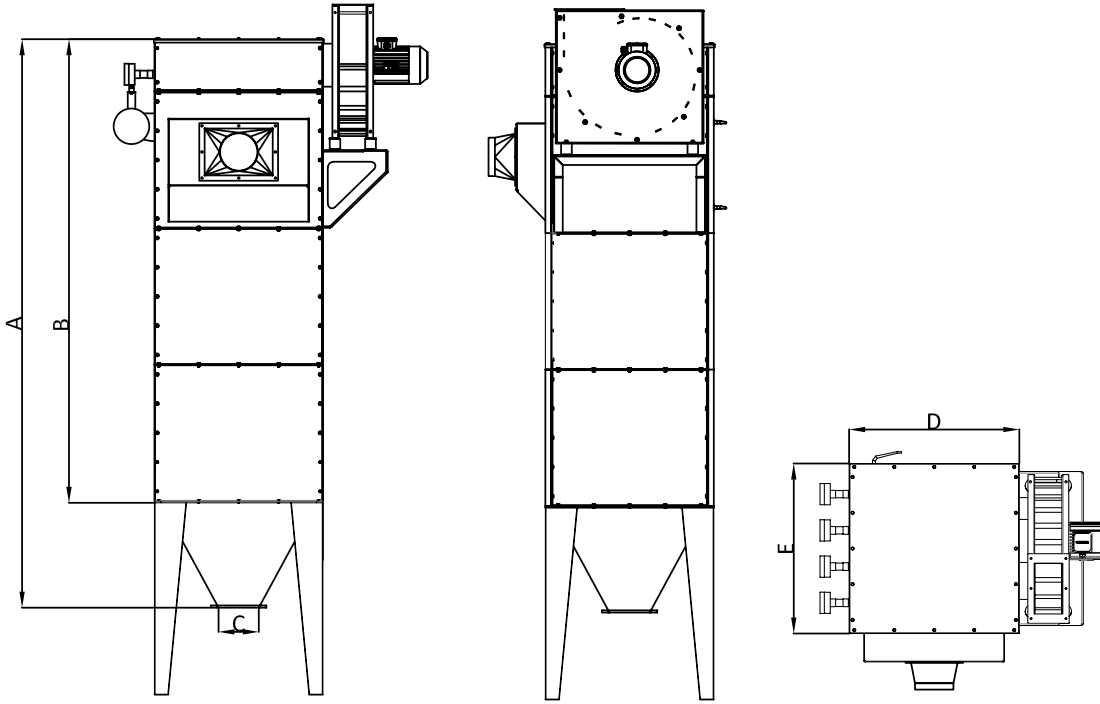


**KARE JET FİLTRE**  
**SQUARE JET FILTER**





MODEL	TORBA SAYISI NUMBER OF BAGS	TORBA BOYU BAG LENGTH	A(mm)	B(mm)	C(mm)	D(mm)	E(mm)	YÜZEY ALANI(m <sup>2</sup> ) SURFACE AREA
DMJF-6	6	1000	1680	1300	135	450	620	2.3
		1200	1880	1500				2.7
		1800	2480	2100				4
		2400	3080	2700				5.4
DMJF-9	9	1000	1680	1300	135	620	620	3.4
		1200	1880	1500				4.1
		1800	2520	2100				6.1
		2400	3160	2700				8.1
DMJF-12	12	1000	1680	1300	135	620	790	4.5
		1200	1880	1500				5.4
		1800	2520	2100				8.1
		2400	3160	2700				10.8
DMJF-16	16	1000	1680	1300	135	790	790	6
		1200	1880	1500				7.2
		1800	2520	2100				10.8
		2400	3160	2700				14.5
DMJF-20	20	1000	1680	1300	135	960	790	7.5
		1200	1880	1500				9
		1800	2520	2100				13.6
		2400	3160	2700				18
DMJF-25	25	1000	1680	1300	135	960	960	9.5
		1200	1880	1500				11.3
		1800	2520	2100				17
		2400	3160	2700				22.5

## TR

- Filtre torbalarının maksimum temizleme kapasitesi
- Temizlenmiş havanın yüksek verimde temizleme oranı
- Ürüne göre filtrenin yüklenim kapasitesi

## ENG

- The max cleaning capacity for each filter bag
- The highest cleaning ratio of cleaned air
- The loading capacity of filter for each product